



新型高效罗茨鼓风机

HIGH EFFICIENCY ROOTS TYPE BLOWER



高效
High Efficiency

节能
Energy Saving

环保
Ecofriendly



公司简介

江苏浮尔德环境科技有限公司坐落于江苏南通，与2020年正式进驻南通海安白甸节能环保科技产业园从事风机的生产、销售、售后，注册资金3000万，总占地面积8000平米，现有员工30人，生产与技术人员12人，韩籍技术专家2名，清华大学计算机博士1名。

公司在韩国整合了最早一批研发风机的优秀技术人才，传承技术并持续进行研发将成果转化，罗茨鼓风机国内生产并进行控制优化。公司在国内生产、装配、调试等各个环节上，由韩籍专家与中国同事协同合作，保证了产品质量达到高标准。

“关注未来，领先一步”，浮尔德环境不断在环境领域谋篇布局，通过系统化解决方案将产品融入众多产业发展中，为中国环境工业发展提供强大技术支撑，做中国制造走向中国创造的领先者，做中国梦的努力探索者、坚定实践者和真实见证者。

“速度、可靠、便捷”是浮尔德环境的服务承诺。基于共同的理念和追求，浮尔德人坚定践行着“服务客户、追求卓越、不断创新、以人为本、持中守正”的经营理念，通过技术进步和模式创新，不断提高服务、技术和产品管理能力，向着“世界一流节能环保企业”的目标稳步迈进。

高效
节能
环保

企业文化

企业理念：关注未来 领先一步

服务理念：速度、可靠、便捷

FID系列三叶罗茨鼓风机简介

产品简介

FID系列罗茨鼓风机是江苏浮尔德环境科技有限公司在引进美国MB系列罗茨鼓风机基础上,应用本公司专有技术自行设计、开发的更新换代产品,该产品在结构和性能上得到大大改善和提高。是当今世界的技术领先产品,是具有最好性价比的产品。

主要特点

- 转速高(最高转速可达4000-5000r/min),效率高,体积小,重量轻,结构紧凑。
- 采用空冷结构,单级压力98kPa不用冷却水。
- 叶轮采用先进结构,三叶叶型,面积利用系数高,叶轴一体结构,刚性好,保证风机在高速下压力高、流量大、运行平稳。
- 可根据用户需求配套组装式高效隔声罩,使风机噪音降至85dB(A)以下,甚至更低。
- 采用特殊结构设计的机壳,保证高压下运行可靠,且降低运转噪声。
- 采用精密硬齿面斜齿同步齿轮,无缝联接,定位可靠,运行平稳,噪音低,强度高,寿命长。
- 轴承采用重型轴承,高温、高速下运行可靠。
- 轴承的轴向固定采用锁紧盘,避免了传统的圆螺母、止动垫联接对轴强度的削弱,使轴强度更高。
- 油箱采用铝合金材质,散热效果好,重量轻。
- 特殊密封环,密封效果好,寿命长。
- 风机主机能够立卧两用,可以方便替换国外机型。
- 密集型机组结构紧凑,设计新颖,性能可靠,皮带涨紧采用自涨紧结构,使用维护方便。
- 皮带轮采用球墨铸铁材质,允许转速高,皮带轮与轴联接采用标准胀套,联接可靠,维护方便。
- 密集型机组装有风机专用泄荷阀,与电磁阀配合使用,管路系统没有旁路放空阀时,也可实现风机空负荷启动、停止,方便用户使用。

产品性能

鼓风机	真空泵
压力: 9.8~98kPa	压力: -9.8~-50kPa
流量: 0.43~184.4m ³ /min	流量: 0.52~183.9m ³ /min
轴功率: 0.6~257.7kW	轴功率: 0.57~197.6kW

订货须知

标准配套:主机、进口消声器(含滤清器)、排气消声器、皮带轮、皮带、防护罩、泄压阀、单向阀、弹性接头、压力表、减震器、膨胀螺栓(ZG-290.ZG-300风机为地脚螺栓)
可选附件:电机、起动柜、隔声罩、风机专用泄荷阀



Brief introduction to ZG blowers

Introduction

FID Blowers with tri-lobe are heavy duty style new products based on MB blowers which technology is from America. It is the replacement for Duroflow models of Gardner Denver, RAM/RCS models of Dresser Roots, and RBS models of Robuschi.

Features

- High blower speed with 4000 to 5000 rpm, high efficiency, and compact structure design
- Low noise tri-lobe rotor
- Noise-reduction know-how application for casing
- Integral-shaft ductile iron impellers
- Dual splash lubrication
- Over sized cylindrical roller bearings
- Hardened teeth face for precision helical timing gear, taper-lock shaft mounting
- Versatile configuration
- Piston ring air seals
- Lip type viton oil seals
- Air cooling, aluminum oil tank
- Automatic belt tensioner and integrated discharge silencer base frame application for the blower package
- Ductile cast iron pulleys are applied to meet the high speed
- Start up valve is optional to realize the blower starting without load even if without bypass air release valve

Product performance

Pressure blower	Vacuum blower
Pressure: 9.8 ~ 98kPa	Vacuum: -9.8 ~ -50kPa
Flow: 0.43 ~ 184.4m ³ /min	Flow: 0.52 ~ 183.9m ³ /min
Shaft power: 0.6 ~ 257.7kW	Shaft power: 0.57 ~ 197.6kW

Ordering Information

Standard accessories: blower, inlet silencer(with filter), outlet silencer, pulleys, belt guard, belt, pressure relief valve, check valve, flexible joint, pressure gauge, shock absorber, expansion bolt.(Anchor bolts for model ZG-290.ZG-300 Blower)

Optional accessories: motor, sound enclosure, electric control box, start up valve, etc.



FID BLOWER

FID系列罗茨鼓风机性能表
FID Series Roots Type Blower Pressure Performance

Data

Table with columns: 风机型号 Mode, 转速 rpm, 理论流量 Theoretical Capacity, 各排气压力下的进口流量 Qs (m³/min), 轴功率 La (kW), 及所配电机功率 Po (kW). Rows include models FID-50, FID-65, FID-80, and FID-100.

进口流量是指在标准吸入状态下 (绝对压力101.325kPa, 温度20℃) 的进口空气流量
Performance based on inlet air at standard temperature of 20℃, an ambient pressure of 101.325kPa

FID系列罗茨鼓风机性能表
FID Series Roots Type Blower Pressure Performance

Data

Table with columns: 风机型号 Mode, 转速 rpm, 理论流量 Theoretical Capacity, 各排气压力下的进口流量 Qs (m³/min), 轴功率 La (kW), 及所配电机功率 Po (kW). Rows include models FID-125, FID-150, FID-175, FID-200, and FID-250.

进口流量是指在标准吸入状态下 (绝对压力101.325kPa, 温度20℃) 的进口空气流量
Performance based on inlet air at standard temperature of 20℃, an ambient pressure of 101.325kPa

FID 系列罗茨鼓风机真空泵性能表
FID Series Roots Type Blower Vacuum Performance Data

真空泵型号 Model	转速 rpm r/min	理论流量 Theoretical Capacity m ³ /min	各真空度下的进口流量Qs(m ³ /min),轴功率La(kW)及所配电机功率Po(kW)															电机极数 Motor Pole
			Inlet Flow Qs (m ³ /min), Shaft Power La (kW) and Motor Power Po (kW)															
			-9.8kPa			-19.6kPa			-29.4kPa			-39.2kPa			-49kPa			
n	Qth	Qs	La	Po	Qs	La	Po	Qs	La	Po	Qs	La	Po	Qs	La	Po		
FID-50V	1450	1.68	1.09	0.57	1.1	0.80	0.85	1.1	0.52	1.12	1.5							4
	2000	2.32	1.73	0.73	1.1	1.44	1.11	1.5	1.16	1.49	2.2	0.88	1.87	2.2				4
	2500	2.9	2.31	0.92	1.1	2.02	1.40	2.2	1.74	1.87	2.2	1.46	2.34	3				2
	3000	3.48	2.89	1.17	1.5	2.60	1.74	2.2	2.32	2.31	3	2.04	2.87	4				2
	3500	4.06	3.47	1.46	2.2	3.18	2.13	3	2.90	2.79	4	2.62	3.45	4	2.29	4.12	5.5	2
	4000	4.64	4.05	1.76	2.2	3.76	2.52	3	3.48	3.27	4	3.20	4.03	5.5	2.87	4.79	5.5	2
	4500	5.22	4.63	2.05	3	4.34	2.91	4	4.06	3.76	5.5	3.78	4.61	5.5	3.45	5.46	7.5	2
	5000	5.8	5.21	2.25	3	4.91	3.19	4	4.64	4.14	5.5	4.36	5.09	7.5	4.03	6.04	7.5	2
FID-65V	1450	2.83	2.00	0.76	1.1	1.59	1.22	1.5	1.20	1.69	2.2							4
	2000	3.9	3.07	0.99	1.1	2.66	1.62	2.2	2.28	2.26	3	1.88	2.90	4				4
	2500	4.88	4.05	1.35	1.5	3.63	2.14	3	3.25	2.94	4	2.85	3.74	5.5				2
	3000	5.85	5.02	1.66	2.2	4.61	2.61	3	4.23	3.57	4	3.83	4.52	5.5	3.38	5.48	7.5	2
	3500	6.83	6.00	2.17	3	5.58	3.28	4	5.20	4.40	5.5	4.80	5.51	7.5	4.35	6.63	7.5	2
	4000	7.8	6.97	2.42	3	6.56	3.70	5.5	6.18	4.97	5.5	5.78	6.25	7.5	5.33	7.52	11	2
	4500	8.78	7.95	3.08	4	7.53	4.52	5.5	7.15	5.95	7.5	6.75	7.39	11	6.30	8.82	11	2
	5000	9.75	8.92	3.64	4	8.51	5.24	7.5	8.13	6.83	7.5	7.73	8.42	11	7.28	10.02	11	2
FID-80V	2000	7.27	5.94	1.88	2.2	5.31	3.07	4	4.76	4.25	5.5	4.21	5.44	7.5				4
	2300	8.37	7.05	2.36	3	6.44	3.72	5.5	5.89	5.09	7.5	5.35	6.45	7.5				2
	2500	9.09	7.80	2.78	4	7.19	4.26	5.5	6.65	5.74	7.5	6.11	7.22	11	5.52	8.70	11	2
	2800	10.2	8.91	3.26	4	8.31	4.92	5.5	7.78	6.57	7.5	7.24	8.23	11	6.66	9.89	11	2
	3000	10.9	9.66	3.78	5.5	9.06	5.55	7.5	8.53	7.33	11	8.00	9.10	11	7.42	10.88	15	2
	3300	12.0	10.8	4.45	5.5	10.2	6.41	7.5	9.67	8.36	11	9.14	10.31	15	8.57	12.27	15	2
	3500	12.7	11.5	5.17	7.5	10.9	7.24	11	10.4	9.32	11	9.90	11.39	15	9.33	13.46	15	2
	3800	13.8	12.6	5.95	7.5	12.1	8.20	11	11.6	10.45	15	11.0	12.70	15	10.5	14.95	18.5	2
FID-100V	2000	10.9	9.04	2.58	3	8.14	4.35	5.5	7.35	6.13	7.5	6.55	7.90	11				4
	2300	12.6	10.7	3.14	4	9.83	5.18	7.5	9.05	7.22	11	8.26	9.27	11				2
	2500	13.6	11.8	3.72	5.5	11.0	5.94	7.5	10.2	8.16	11	9.41	10.38	15	8.55	12.60	15	2
	2800	15.3	13.5	4.39	5.5	12.7	6.87	11	11.9	9.36	11	11.1	11.84	15	10.3	14.33	18.5	2
	3000	16.4	14.6	5.06	7.5	13.8	7.73	11	13.0	10.39	15	12.3	13.05	15	11.4	15.72	18.5	2
	3300	18.0	16.3	6.33	7.5	15.5	9.26	11	14.7	12.19	15	14.0	15.12	18.5	13.2	18.05	22	2
	3500	19.1	17.4	7.31	11	16.6	10.41	15	15.9	13.52	15	15.1	16.63	18.5	14.3	19.73	22	2
	3800	20.7	19.1	8.57	11	18.3	11.95	15	17.6	15.32	18.5	16.8	18.69	22	16.0	22.07	30	2
FID-125V	2000	21.8	20.2	9.55	11	19.4	13.10	15	18.7	16.65	18.5	18.0	20.20	22	17.2	23.75	30	2
	1150	12.5	10.0	3.45	4	8.8	5.50	7.5	7.8	7.54	11	6.8	9.59	11				4
	1450	15.8	13.3	4.6	5.5	12.1	7.2	11	11.1	9.8	11	10.1	12.3	15				4
	1750	19.1	16.6	5.82	7.5	15.5	8.93	11	14.5	12.05	15	13.4	15.17	18.5	12.3	18.28	22	4
	2000	21.8	19.4	7.2	11	18.2	10.7	15	17.2	14.3	18.5	16.2	17.9	22	15.1	21.4	30	4
	2300	25	22.7	8.80	11	21.6	12.89	15	20.6	16.99	22	19.6	21.08	30	18.5	25.18	30	2
	2600	28.3	26.0	10.3	15	24.9	15.0	18.5	23.9	19.6	22	23.0	24.2	30	21.9	28.9	37	2
	2800	30.5	28.2	11.49	15	27.1	16.47	18.5	26.2	21.46	30	25.2	26.45	30	24.2	31.43	37	2
3000	32.7	30.4	12.5	15	29.3	17.9	22	28.4	23.2	30	27.5	28.6	37	26.4	33.9	37	2	

进口流量是指在各真空度下，进口温度为20℃，出口为绝压101.325kPa的进口空气流量
Performance based on inlet air at standard temperature of 20℃, and discharge at an ambient pressure of 101.325kPa.

FID 系列罗茨鼓风机真空泵性能表
FID Series Roots Type Blower Vacuum Performance Data

真空泵型号 Model	转速 rpm r/min	理论流量 Theoretical Capacity m ³ /min	各真空度下的进口流量Qs(m ³ /min),轴功率La(kW)及所配电机功率Po(kW)															电机极数 Motor Pole
			Inlet Flow Qs (m ³ /min), Shaft Power La (kW) and Motor Power Po (kW)															
			-9.8kPa			-19.6kPa			-29.4kPa			-39.2kPa			-49kPa			
n	Qth	Qs	La	Po	Qs	La	Po	Qs	La	Po	Qs	La	Po	Qs	La	Po		
FID-150V	1150	20.1	16.2	5.5	7.5	14.5	8.8	11	12.9	12.0	15	11.4	15.3	18.5				4
	1450	25.3	21.6	6.8	7.5	19.9	11.0	15	18.4	15.1	18.5	16.9	19.2	22				4
	1750	30.5	27.0	8.4	11	25.3	13.4	15	23.9	18.4	22	22.4	23.4	30	20.8	28.3	37	4
	2000	34.9	31.4	11.3	15	29.8	17.0	18.5	28.4	22.7	30	27.0	28.4	37	25.5	34.1	37	4
	2300	40.1	36.8	14.2	18.5	35.2	20.7	30	33.9	27.3	30	32.5	33.8	37	31.0	40.4	45	2
	2600	45.3	42.1	16.8	18.5	40.6	24.2	30	39.3	31.6	37	38.0	39.0	45	36.5	46.4	55	2
	2800	48.8	45.7	18.6	22	44.2	26.6	30	42.9	34.5	45	41.7	42.5	55	40.2	50.5	55	2
	3000	52.3	49.3	20.2	22	47.8	28.7	37	46.6	37.3	45	45.3	45.8	55	43.9	54.3	75	2
FID-175V	1150	27.14	23.4	7.0	11	21.5	11.5	15	19.7	15.9	18.5	17.9	20.3	30	15.9	24.8	30	4
	1450	34.22	30.4	8.8	11	28.6	14.4	18.5	26.8	20.0	22	25.0	25.6	30	23.0	31.2	37	4
	1750	41.3	37.5	11.4	15	35.6	18.1	22	33.9	24.9	30	32.1	31.6	37	30.1	38.3	45	4
	2000	47.2	43.4	14.7	18.5	41.5	22.4	30	39.8	30.1	37	38.0	37.9	45	36.0	45.6	55	4
	2300	54.28	50.5	18.2	22	48.6	27.0	30	46.9	35.9	45	45.1	44.8	55	43.0	53.7	75	2
	2600	61.36	57.6	21.0	30	55.7	31.1	37	54.0	41.1	45	52.2	51.1	75	50.1	61.1	75	2
	2800	66.08	62.3	23.8	30	60.4	34.6	45	58.7	45.4	55	56.9	56.2	75	54.8	67.0	75	2
	3000	70.8	67.0	25.6	30	65.1	37.1	45	63.4	48.7	55	61.6	60.3	75	59.6	71.9	90	2
FID-200V	970	44.0	38.3	9.9	11	35.7	17.1	22	33.3	24.3	30	30.9	31.5	37				4
	1250	56.7	51.2	14.2	18.5	48.6	23.5	30	46.3	32.7	37	44.0	42.0	55	41.4	51.3	75	4
	1450	65.8	60.4	18.0	22	57.9	28.7	37	55.6	39.5	45	53.3	50.2	55	50.8	61.0	75	4
	1600	72.6	67.3	21.5	30	64.8	33.3	37	62.6	45.2	55	60.3	57.1	75	57.8	69.0	75	4
	1750	79.3	74.2	25.6	30	71.7	38.6	45	69.5	51.6	75	67.3	64.5	75	64.9	77.5	90	4
	1900	86.1	81.1	30.7	37	78.6	44.8	55	76.5	58.9	75	74.3	73.0	90	71.9	87.1	110	4
	2050	92.9	88.0	35.2	45	85.6	50.4	55	83.5	65.6	75	81.3	80.8	90	78.9	96.1	110	4
	FID-250V	970	56.0	49.5	12.7	15	46.4	21.8	30	43.8	31.0	37	41.2	40.2	45	38.3	49.4	55
1250		72.2	65.9	19.4	22	62.9	31.2	37	60.4	43.1	55	57.8	54.9	75	55.1	66.7	75	4
1450		83.8	77.5	25.1	30	74.7	38.8	45	72.2	52.5	75	69.7	66.3	75	67.0	80.0	90	4
1600		92.5	86.4	30.6	37	83.6	45.8	55	81.1	60.9	75	78.7	76.0	90	76.0	91.2	110	4
1750		101.1	95.2	35.2	45	92.4	51.7	75	90.0	68.2	75	87.6	84.8	90	85.0	101.3	110	4
1900		109.8	104.0	41.9	55	101.0	59.8	75	98.9	77.8	90	96.5	95.8	110	93.9	113.7	132	4
2050		118.5	112.8	50.4	55	110.1	69.8	75	107.8	89.2	110	105.5	108.5	132	102.9	128	160	4

进口流量是指在各真空度下，进口温度为20℃，出口为绝压101.325kPa的进口空气流量
Performance based on inlet air at standard temperature of 20℃, and discharge at an ambient pressure of 101.325kPa.

风机型号 Mode	转速 rpm r/min	理论流量 Theoretical Capacity m ³ /min	各排气压力下的进口流量Qs(m ³ /min),轴功率La(kW)及所配电机功率Po(kW) Inlet Flow Qs (m ³ /min), Shaft Power La (kW) and Motor Power Po (kW)																								电机极数 Motor Pole						
			9.8kPa			19.6kPa			29.4kPa			39.2kPa			49kPa			58.8kPa			68.6kPa			78.4kPa				88.2kPa			98kPa		
			Qs	La	Po	Qs	La	Po	Qs	La	Po	Qs	La	Po	Qs	La	Po	Qs	La	Po	Qs	La	Po	Qs	La	Po		Qs	La	Po	Qs	La	Po
FID-290	970	97.1	89.0	21.9	30	85.6	37.8	45	83.0	53.7	75	80.8	69.6	90	78.9	85.4	110	77.1	101.3	132	75.5	117.2	132	74.0	133.1	160	72.6	149.0	185	71.2	164.9	200	4
	1100	110.1	102.1	26.7	30	98.7	44.7	55	96.1	62.8	75	93.9	80.8	90	91.9	98.8	110	90.2	116.8	132	88.5	134.8	160	87.0	152.8	185	85.6	170.9	200	84.3	188.9	220	4
	1250	125.1	117.1	32.8	37	113.7	53.3	75	111.1	73.7	90	108.9	94.2	110	107.0	114.7	132	105.2	135.1	160	103.6	155.6	185	102.1	176.1	200	100.7	196.6	220	99.3	217.0	250	4
	1350	135.1	127.1	37.6	45	123.7	59.7	75	121.1	81.8	90	118.9	104.0	132	117.0	126.1	160	115.2	148.2	185	113.6	170.3	200	112.1	192.4	220	110.7	214.5	250	109.3	236.6	280	4
	1450	145.1	137.2	42.8	55	133.8	66.5	75	131.2	90.3	110	128.9	114.0	132	127.0	137.8	160	125.2	161.5	185	123.6	185.3	200	122.1	209.0	250	120.7	232.7	280	119.4	256.5	280	4
	1550	155.1	147.2	50.2	55	143.8	75.6	90	141.2	101.0	132	139.0	126.4	160	137.0	151.7	185	135.3	177.1	200	133.7	202.5	250	132.1	227.9	250	130.7	253.3	280				4
FID-300	970	114.0	104.5	27.1	30	100.6	45.7	55	97.6	64.4	75	95.1	83.0	110	92.9	101.6	132	90.9	120.2	132	89.0	138.8	160	87.3	157.5	185	85.7	176.1	200	84.1	194.7	220	4
	1100	129.2	119.8	32.2	37	115.9	53.3	75	112.9	74.4	90	110.4	95.6	110	108.2	116.7	132	106.1	137.8	160	104.3	158.9	185	102.6	180.0	200	100.9	201.1	220	99.4	222.2	250	4
	1250	146.9	137.4	40.0	45	133.5	64.0	75	130.5	88.0	110	128.0	112.0	132	125.8	136.0	160	123.8	160.0	185	121.9	184.0	200	120.2	207.9	250	118.6	231.9	280	117.0	255.9	280	4
	1350	158.6	149.2	45.6	55	145.3	71.5	90	142.3	97.4	110	139.8	123.4	160	137.5	149.3	185	135.5	175.2	200	133.7	201.1	250	131.9	227.0	250	130.3	252.9	280				4
	1450	170.4	160.9	52.8	75	157.0	80.7	90	154.0	108.5	132	151.5	136.3	160	149.3	164.2	185	147.3	192.0	220	145.4	219.8	250	143.7	247.7	280				4			
	1550	182.1	172.7	60.8	75	168.8	90.5	110	165.8	120.3	160	163.3	150.0	185	161.0	179.8	200	159.0	209.5	250	157.2	239.3	280				4						
1650	193.9	184.4	67.7	75	180.5	99.3	110	177.5	131.0	160	175.0	162.7	185	172.8	194.4	220	170.8	226.0	250	168.9	257.7	280				4							

进口流量是指在标准吸入状态下 (绝对压力101.325kPa, 温度20°C) 的进口空气流量
Performance based on inlet air at standard temperature of 20°C, an ambient pressure of 101.325kPa

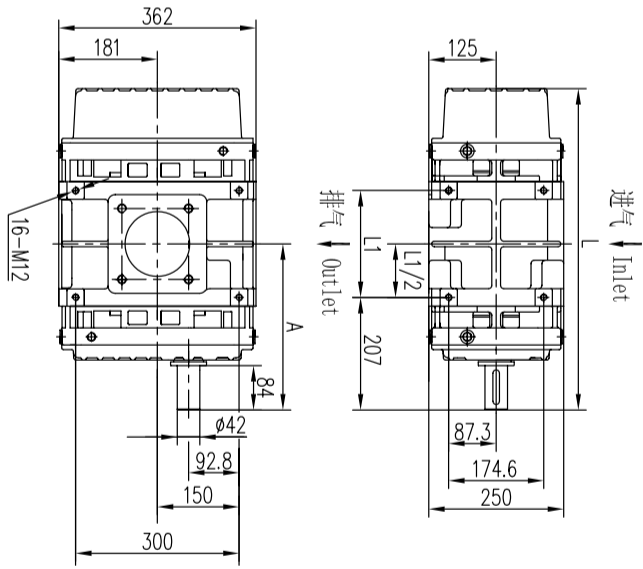
FID-290 ZG-300 型罗茨鼓风机性能表
Data: FID-290 ZG-300 Roots Type Blower Pressure Performance

真空泵型号 Mode	转速 rpm r/min	理论流量 Theoretical Capacity m ³ /min	各真空度下的进口流量Qs(m ³ /min),轴功率La(kW)及所配电机功率Po(kW) Inlet Flow Qs (m ³ /min), Shaft Power La (kW) and Motor Power Po (kW)																								电机极数 Motor Pole						
			-9.8kPa			-14.7kPa			-19.6kPa			-24.5kPa			-29.4kPa			-34.3kPa			-39.2kPa			-44.1kPa				-49kPa			-50kPa		
			Qs	La	Po	Qs	La	Po	Qs	La	Po	Qs	La	Po	Qs	La	Po	Qs	La	Po	Qs	La	Po	Qs	La	Po		Qs	La	Po	Qs	La	Po
FID-290V	970	97.1	88.6	21.9	30	86.4	29.8	37	84.3	37.8	45	82.3	45.7	55	80.4	53.7	75	78.3	61.6	75	76.2	69.6	90	74.0	77.5	90	71.6	85.4	110	71.1	87.1	110	4
	1100	110.1	101.6	26.7	30	99.4	35.7	45	97.4	44.7	55	95.4	53.7	75	93.4	62.8	75	91.4	71.8	90	89.3	80.8	90	87.0	89.8	110	84.6	98.8	110	84.1	100.6	132	4
	1250	125.1	116.7	32.8	37	114.4	43.0	55	112.4	53.3	75	110.4	63.5	75	108.4	73.7	90	106.4	84.0	110	104.3	94.2	110	102.1	104.4	132	99.7	114.7	132	99.1	116.8	132	4
	1350	135.1	126.7	37.6	45	124.5	48.7	55	122.4	59.7	75	120.4	70.8	90	118.4	81.8	90	116.4	92.9	110	114.3	104.0	132	112.1	115.0	132	109.7	126.1	160	109.2	128.3	160	4
	1450	145.1	136.7	42.8	55	134.5	54.6	75	132.4	66.5	75	130.5	78.4	90	128.5	90.3	110	126.5	102.1	132	124.4	114.0	132	122.1	125.9	160	119.7	137.8	160	119.2	140.2	160	4
	1550	155.1	146.8	50.2	55	144.5	62.9	75	142.5	75.6	90	140.5	88.3	110	138.5	101.0	132	136.5	113.7	132	134.4	126.4	160	132.1	139.0	160	129.7	151.7	185	129.2	154.3	185	4
FID-300V	970	114.0	104.1	27.1	30	101.5	36.4	45	99.1	45.7	55	96.8	55.1	75	94.6	64.4	75	92.3	73.7	90	89.8	83.0	110	87.3	92.3	110	84.5	101.6	132	83.9	103.5	132	4
	1100	129.2	119.3	32.2	37	116.8	42.8	55	114.4	53.3	75	112.1	63.9	75	109.8	74.4	90	107.5	85.0	110	105.1	95.6	110	102.6	106.2	132	99.8	116.7	132	99.2	118.8	132	4
	1250	146.9	136.9	40.0	45	134.4	52.0	75	132.0	64.0	75	129.7	76.0	90	127.5	88.0	110	125.1	100.0	110	122.7	112.0	132	120.2	124.0	160	117.4	136.0	160	116.8	138.4	160	4
	1350	158.6	148.7	45.6	55	146.1	58.6	75	143.8	71.5	90	141.5	84.5	110	139.2	97.4	110	136.9	110.4	132	134.5	123.4	160	131.9	136.4	160	129.2	149.3	185	128.6	151.9	185	4
	1450	170.4	160.4	52.8	75	157.9	66.8	75	155.5	80.7	90	153.2	94.6	110	151.0	108.5	132	148.6	122.4	160	146.2	136.3	160	143.7	150.3	185	140.9	164.2	185	140.3	167.0	185	4
	1550	182.1	172.2	60.8	75	169.6	75.7	90	167.3	90.5	110	165.0	105.4	132	162.7	120.3	160	160.4	135.2	160	158.0	150.0	185	155.4	164.9	185	152.7	179.8	200	152.1	182.8	200	4
1650	193.9	183.9	67.7	75	181.4	83.5	110	179.0	99.3	110	176.7	115.2	132	174.5	131.0	160	172.1	146.9	160	169.7	162.7	185	167.2	178.6	200	164.4	194.4	220	163.8	197.6	220	4	

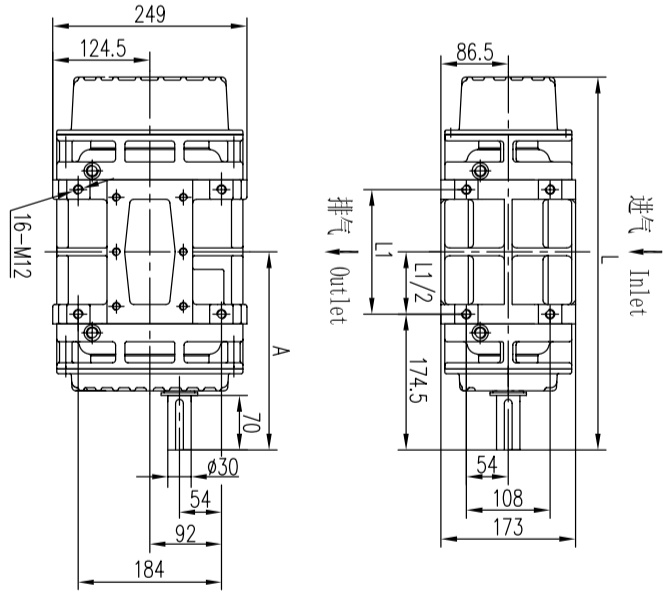
进口流量是指在标准吸入状态下, 进口温度为20°C, 出口为绝压101.325kPa的进口空气流量
Performance based on inlet air at standard temperature of 20°C, and discharge at an ambient pressure of 101.325kPa.

FID-290 ZG-300 型罗茨鼓风机真空性能表
Data: FID-290 ZG-300 Roots Type Blower Vacuum Performance

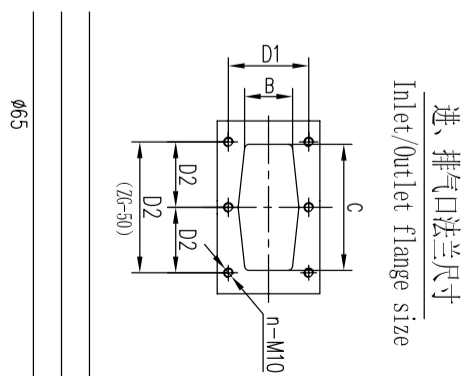
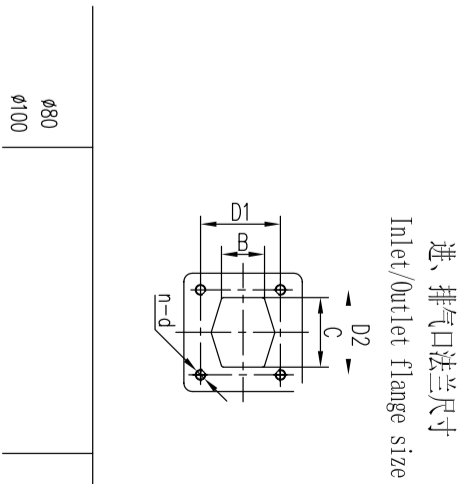
注: ZG-290, ZG-300 型罗茨鼓风机和真空泵的传动方式均为皮带传动当转速为 970r/min 和 1450r/min 时, 可以使用直联传动, 但必须在合同中注明。
Note: The driving mode of ZG-290 ZG-300 roots type blower and vacuum pump is belt transmission. When the rpm is 970r/min or 1450r/min, the direct connect drive can be used, but it must be indicated in the contract.



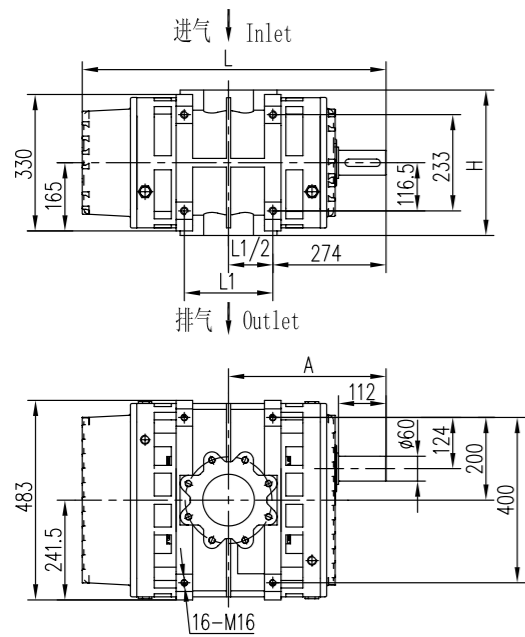
FID-80 ZG-100 主机外形图
Drawing: FID-80 ZG-100 Outline



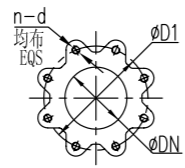
FID-50 ZG-65 主机外形图
Drawing: FID-50 ZG-65 Outline



FID-125 FID-150 FID-175 主机外形图
 FID-125 FID-150 FID-175 Outline Drawing

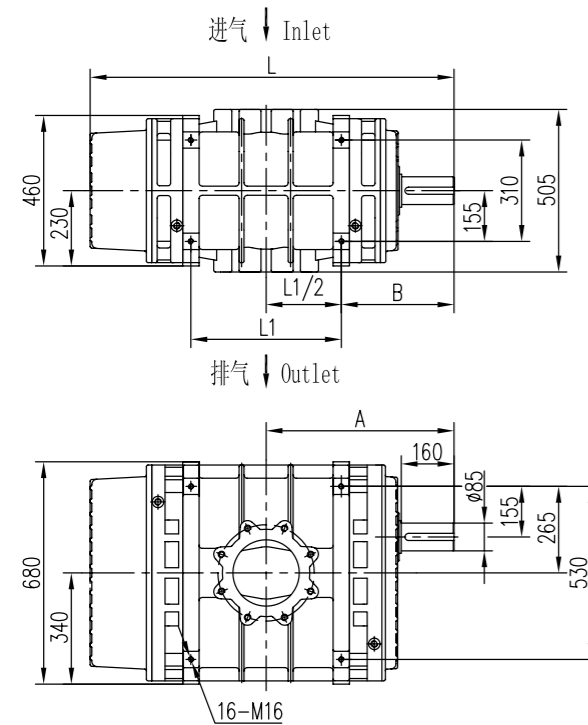


进、排气口法兰尺寸
 Inlet/Outlet flange size

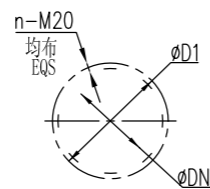


风机型号 Blower Model	公称口径 Bore	A	L	L1	DN	D1	n-d	H	重量 Weight
ZG-125	Ø125	381	735	214	125	210	8-M16	360	300kg
ZG-150	Ø150	457	887	365	150	240	8-M20	360	361kg
ZG-175	Ø200	529	1030	510	200	295	8-M20	376	405kg

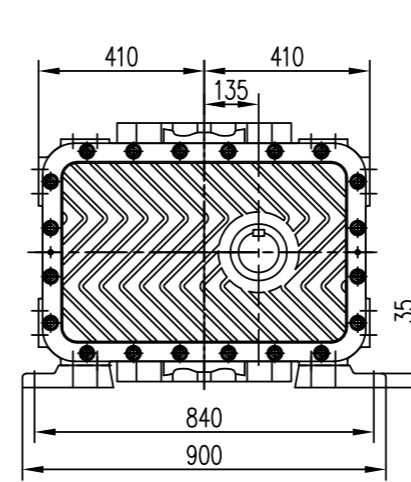
FID-200 FID-250 主机外形图
 FID-200 FID-250 Outline Drawing



进、排气口法兰尺寸
 Inlet/Outlet flange size

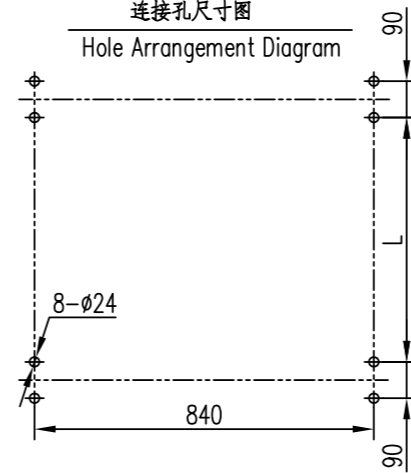


FID-290.FID-300 主机外形图
 FID-290.FID-300 Outline Drawing

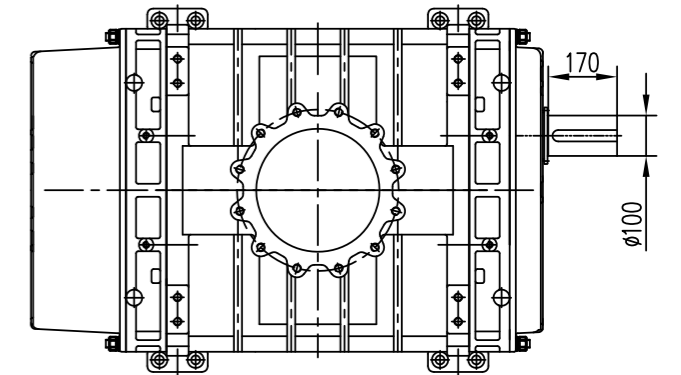
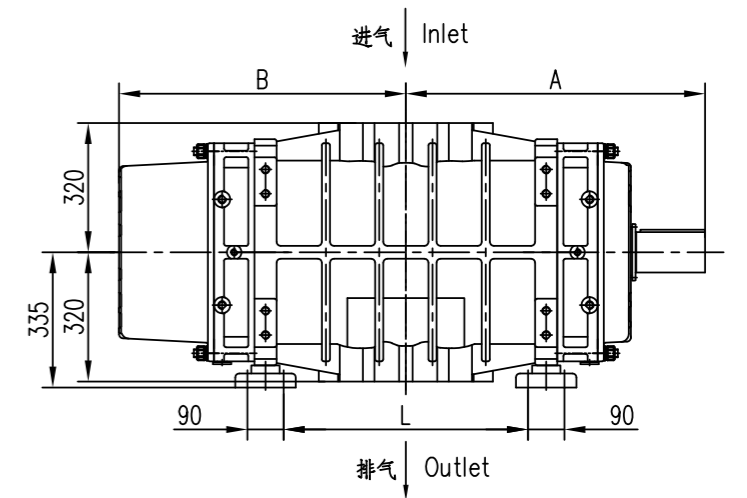
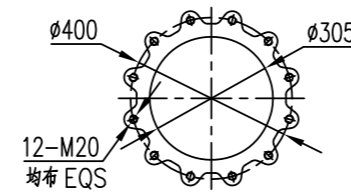


连接孔尺寸图

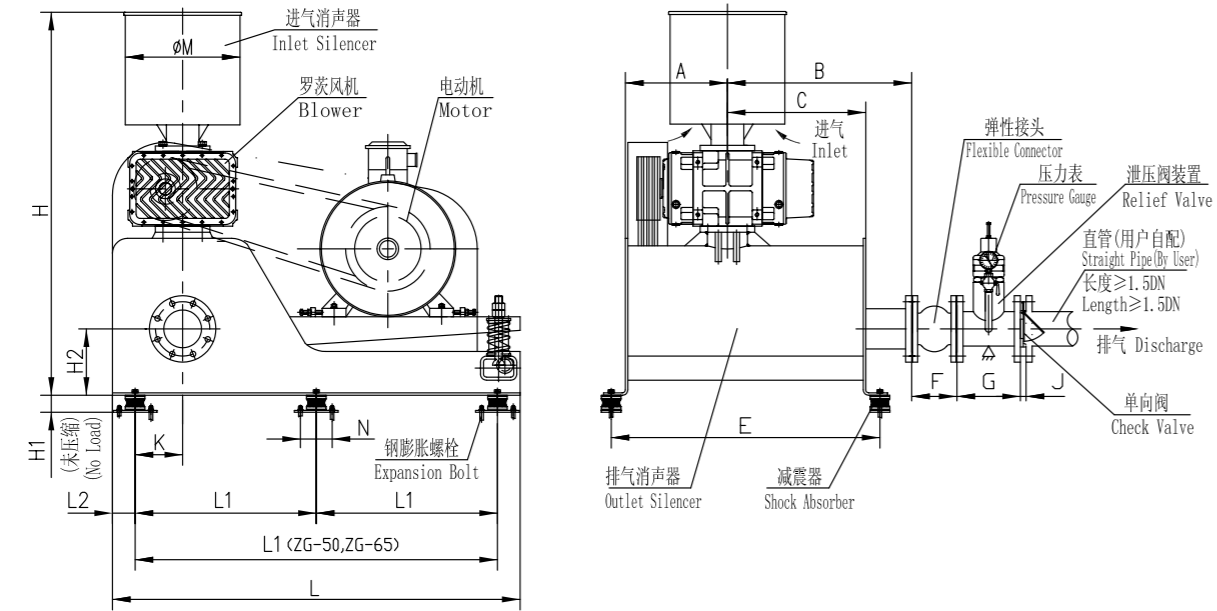
Hole Arrangement Diagram



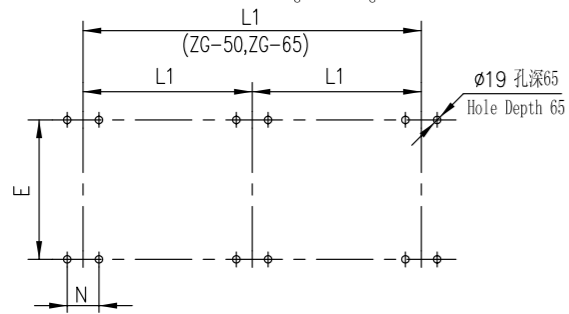
进、排气口法兰尺寸
 Inlet and Outlet Flange Size



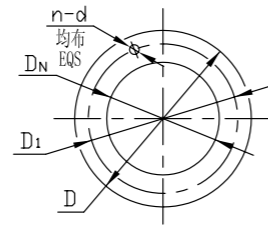
FID系列罗茨鼓风机外形安装尺寸图
 FID Series Roots Type Blower Packages Outline Drawing (Pressure Application)



钢膨胀螺栓孔布置图
 Shock Absorber Hole Arrangement Diagram

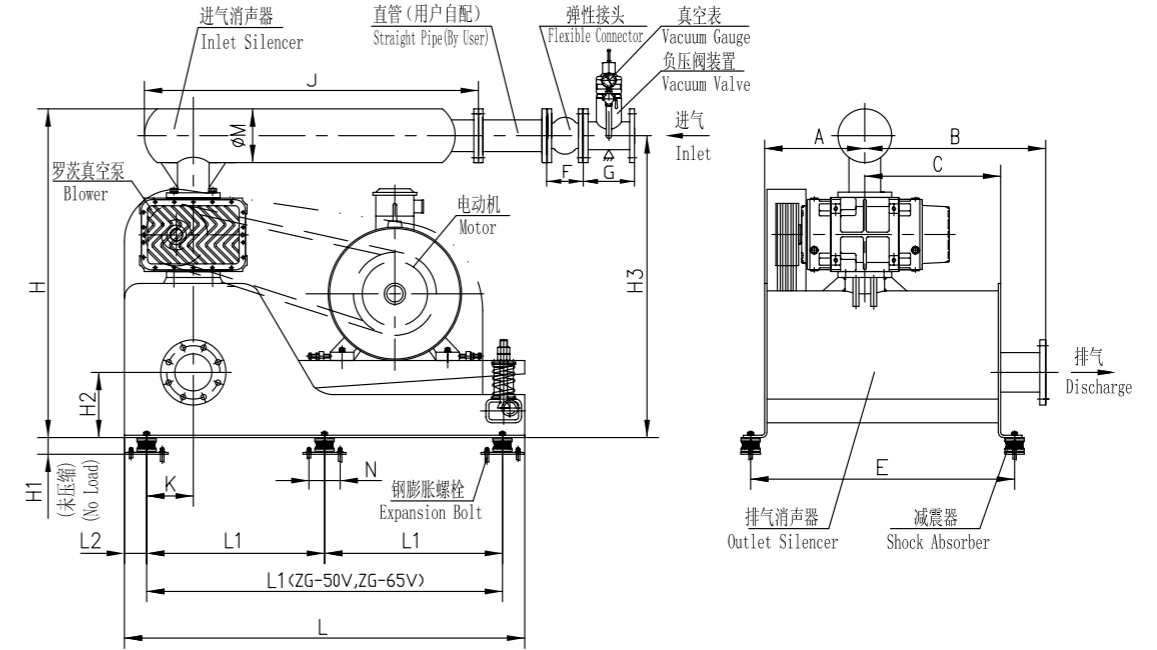


排气口法兰尺寸
 Outlet Flange Size

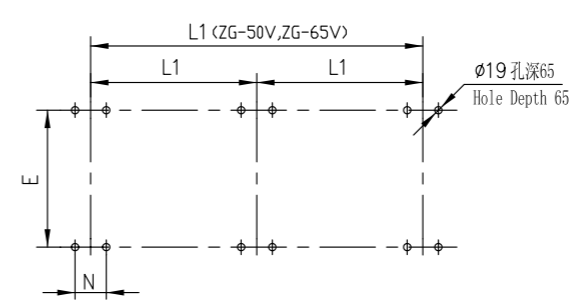


注: 处用户自设支撑
 Note: Customer provided support

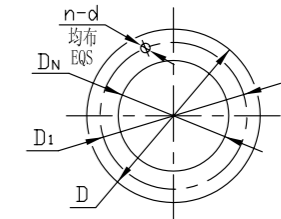
FID-V系列罗茨真空泵机组外形安装尺寸图
 FID-V Series Roots Type Blower Packages Outline Drawing (Vacuum Application)



钢膨胀螺栓孔布置图
 Shock Absorber Hole Arrangement Diagram



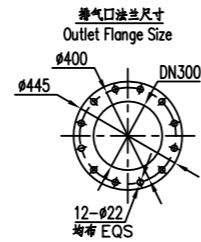
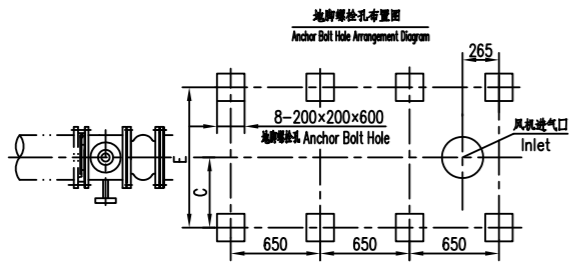
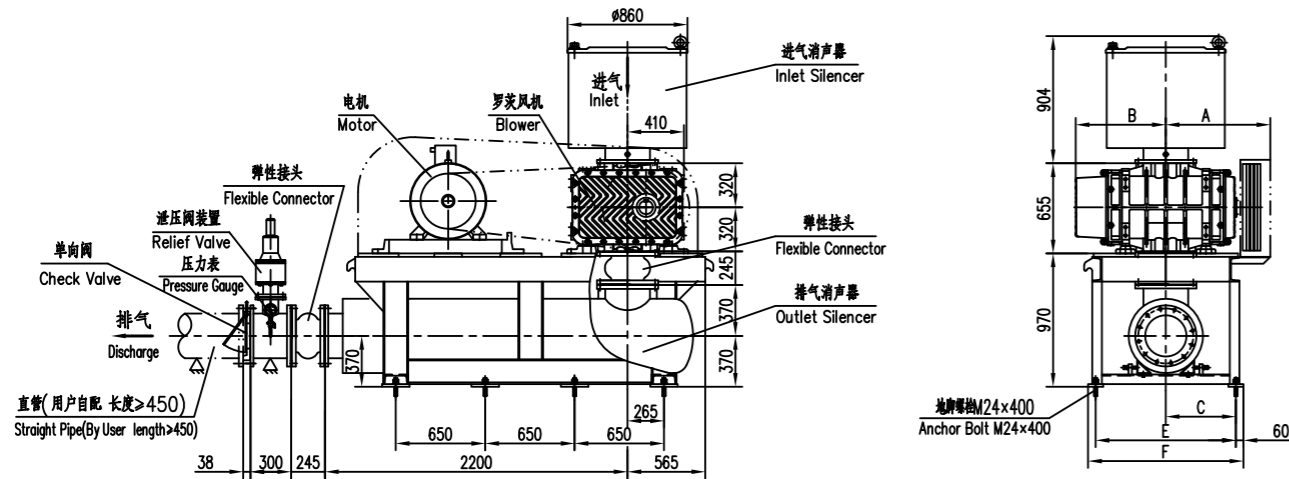
进、排气口法兰尺寸
 Inlet/Outlet Flange Size



注: 处用户自设支撑
 Note: Customer provided support

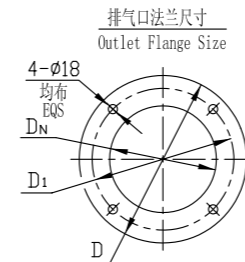
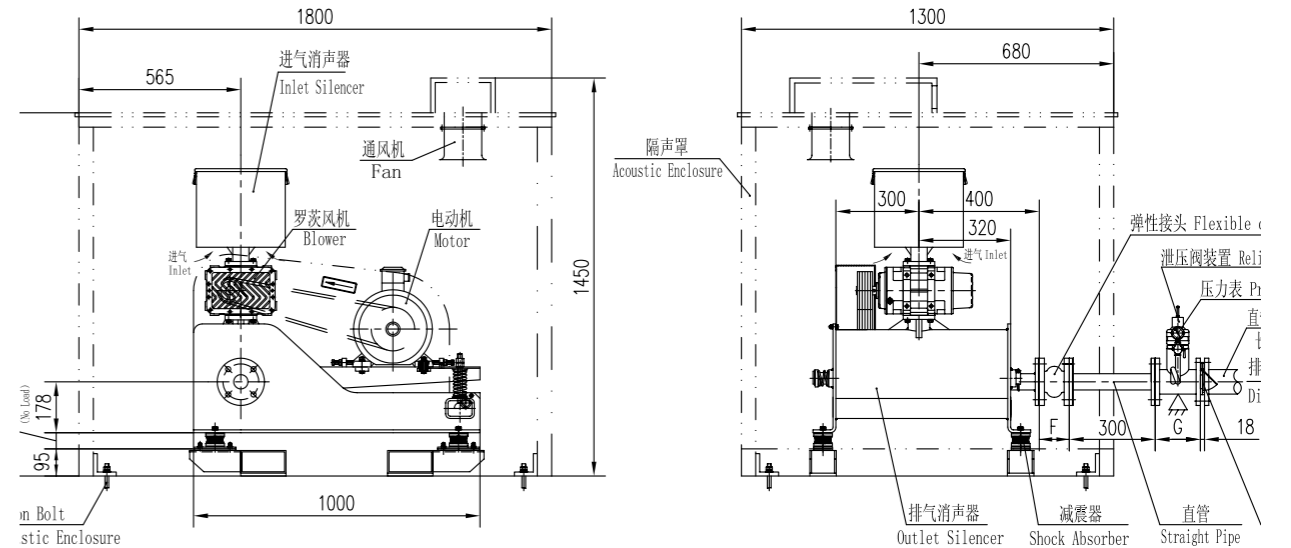
FID-290.FID-300型 罗茨鼓风机外形安装尺寸图
 FID-290.FID-300Roots Type Blower Packages Outline Drawing(Pressure Application)

本图仅适应于Y355及其以下的普通低压电机
 The Drawing Is Only Applicable To The General Low Voltage Motor Y355 And Below



注：1. \triangle 处表示用户自设支撑
 Note:1. \triangle Customer provided support.

FID系列罗茨鼓风机组（带隔声罩）外形安装尺寸图
 FIDSeries Roots Type Blower Packages Outline Drawing(With Acoustic Enclosure)



注：1. \triangle 处表示用户自设支撑。
 2. 请在订货时注明：安装位置是室内还是室外。
 3. 隔声罩上无电缆线穿线口，请用户自行预埋电缆线进口。
 4. 隔声罩外直管用户自行包裹隔音材料。
 Note: 1. \triangle Customer provided support.
 2. Please take a note on the Acoustic Enclosure will be operated indoor or outdoor by
 3. Acoustic Enclosure without cable threading port,please pre buried cable inlet by
 4. The straight pipe out the Acoustic Enclosure should be sound proof pipe.



售后服务中心

江苏省海安市白甸节能环保产业科技园甸湖大道18号

24小时服务热线：18951315858

网址：www.fidblower.com